



Stainless Steel Fixings Ltd, No10  
 Charlwoods Road, East Grinstead, West  
 Sussex, RH19 2HU

# SUPPORT

STANDARD  
 FIXING No.

# S2

CONTRACT:

EACH TO BE SUPPLIED WITH:

DIMENSIONS:

LENGTH = \_\_\_\_\_

PROJECTION = \_\_\_\_\_

HT = \_\_\_\_\_

THICKNESS = \_\_\_\_\_

SLOT B SIZE (L x W) = \_\_\_\_\_ x \_\_\_\_\_

DOWEL DIAMETER, A = \_\_\_\_\_

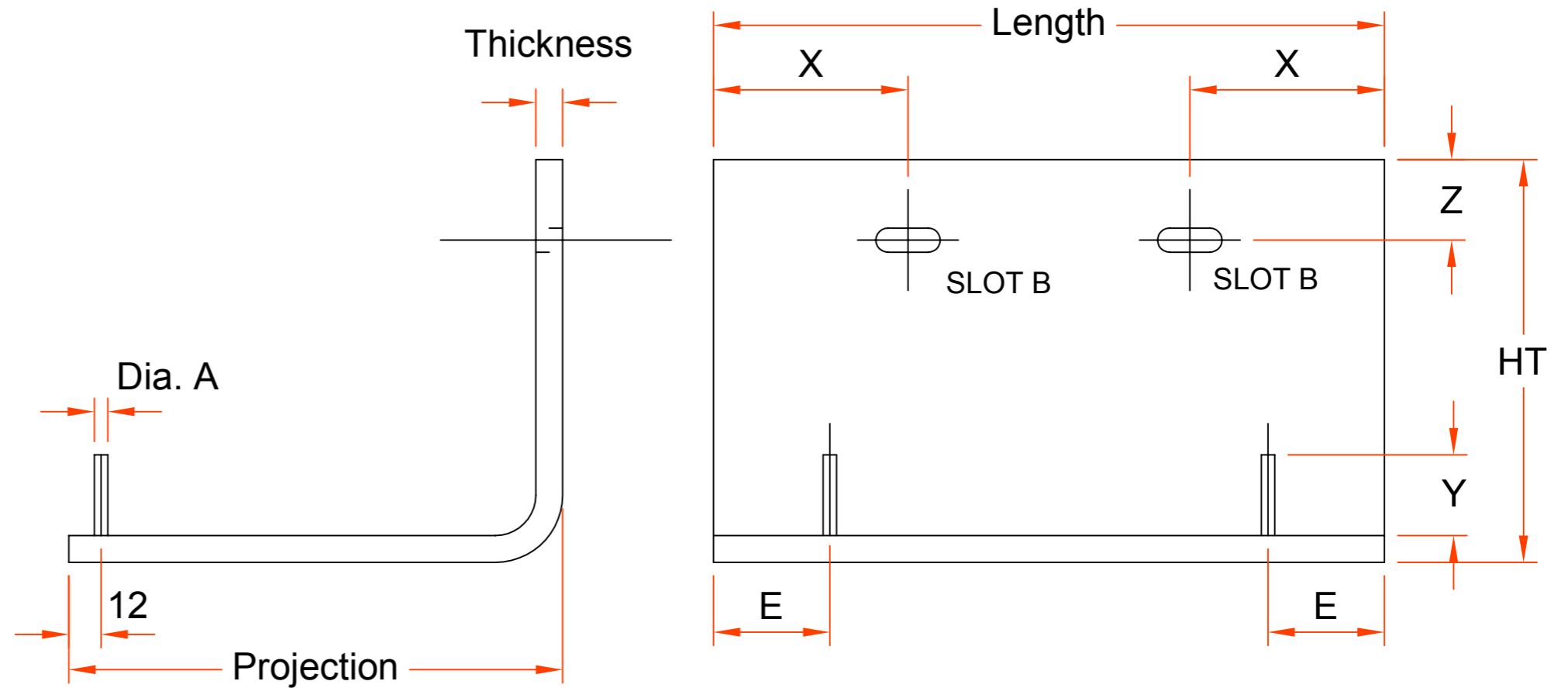
DOWEL HEIGHT, Y = \_\_\_\_\_

DOWEL END DIST, E = \_\_\_\_\_

END SPACE, X = \_\_\_\_\_

Z = \_\_\_\_\_

GRADE: EN1.4301 (304) unless otherwise  
 advised.



SIDE VIEW

ELEVATION